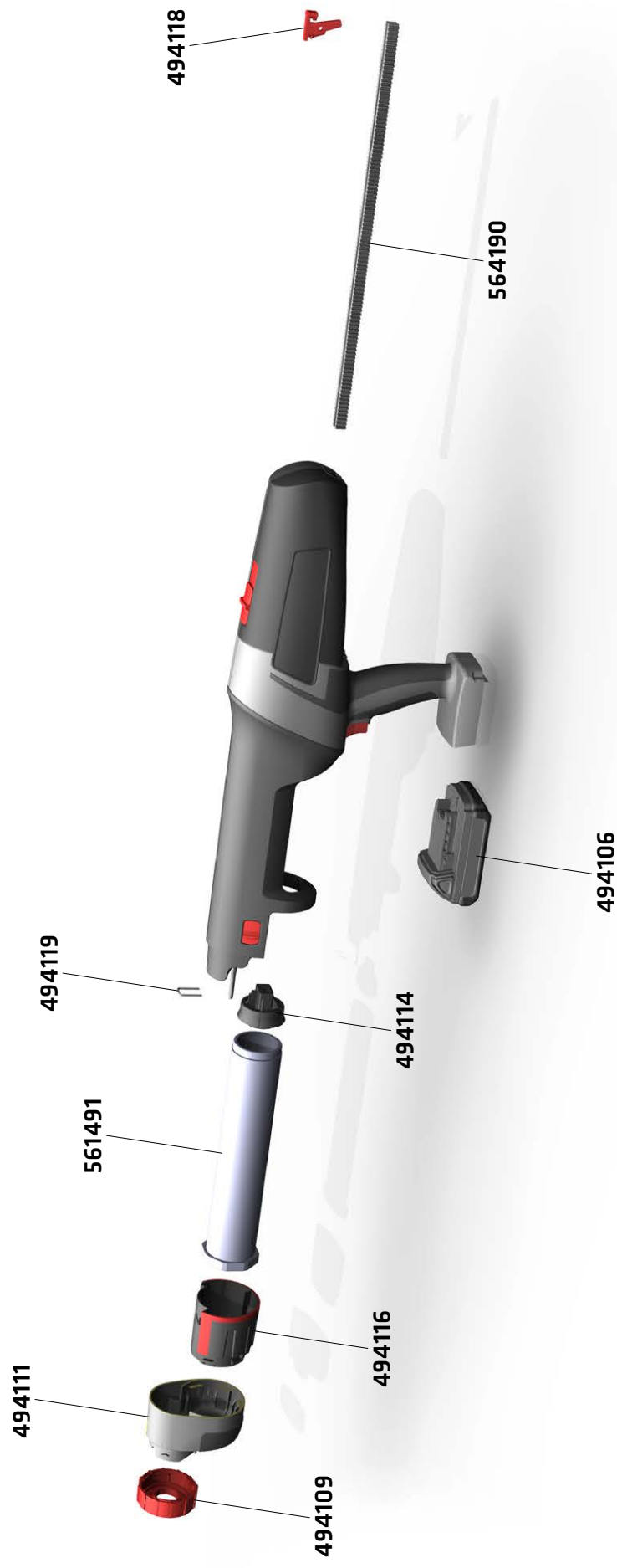




PowerCure 400 Dispenser
PowerCure 600 Dispenser
SPARE PARTS

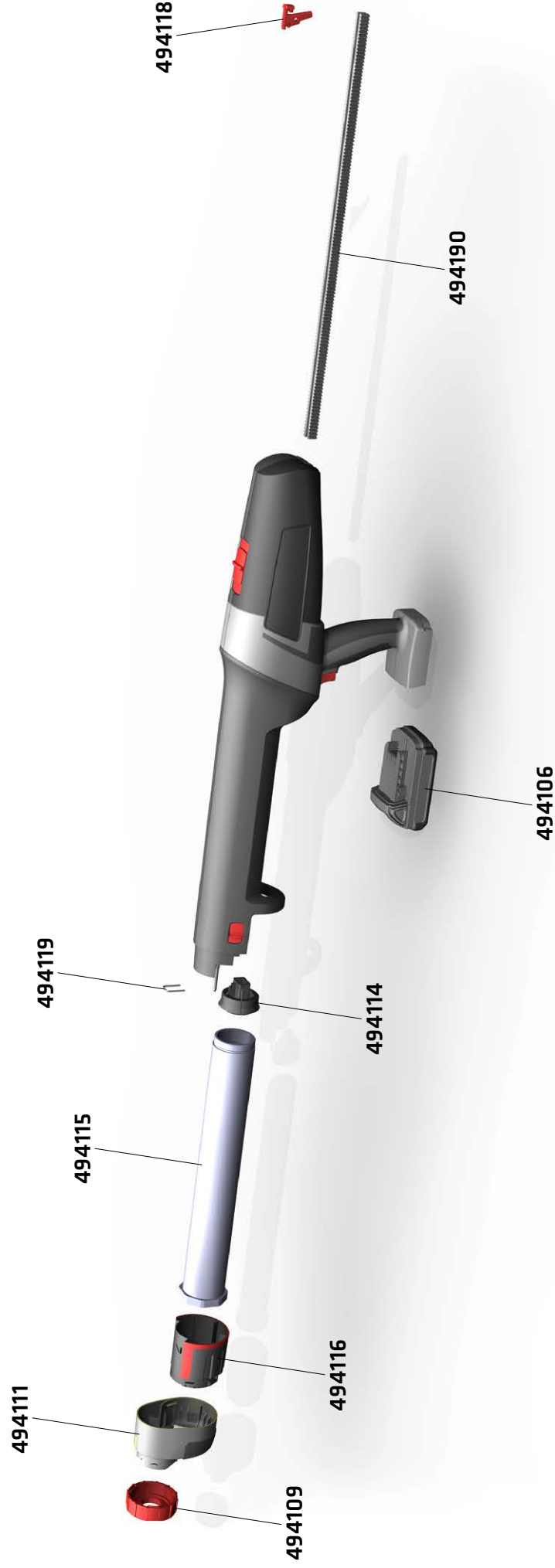
PowerCure 400 Dispenser

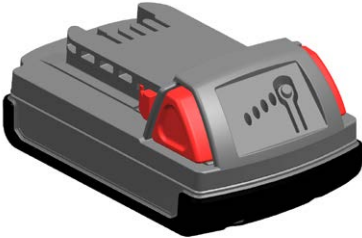


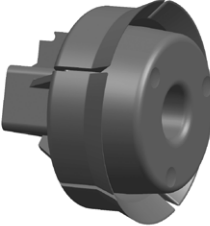

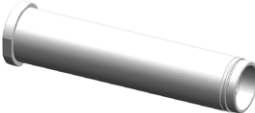
Highlighted and numbered parts are available as spare parts. Page on repair instructions on the web. Parts other than the highlighted ones must be replaced by an authorized service center.



PowerCure 600 Dispenser

Highlighted and numbered parts are available as spare parts. Page on repair instructions on the web. Parts other than the highlighted ones must be replaced by an authorized service center.



Drawing	Sika Item Code	Item Name / Description
	494106	PowerCure Battery Li-Ion 18V 2Ah
	494109	PowerCure Spare Mixer Cap Red
	494111	PowerCure Spare Cover Grey
	494114	PowerCure Spare Plunger
	494119	PowerCure Spare Plunger Clip
	561491	PowerCure Spare Barrel 400 Alu (Compatible with PowerCure 400 Dispenser)

Drawing	Sika Item Code	Item Name / Description
	494115	PowerCure Spare Barrel 600 Alu (Compatible with PowerCure 600 Dispenser)
	494116	PowerCure Spare Bayonet Sleeve
	561490	PowerCure Spare Tooth Rack 400 (Compatible with PowerCure 400 Dispenser)
	494117	PowerCure Spare Tooth Rack 600 (Compatible with PowerCure 600 Dispenser)
	494118	PowerCure Spare Tooth Rack Cover
	559524	PowerCure Spare Service Tool

GLOBAL BUT LOCAL PARTNERSHIP



FOR SPARE PARTS AND REPAIR SERVICE:



www.sika.com/powercure

CONDITIONS

The information, and, in particular, the recommendations relating to the application and end-use of Sika products, are given in good faith based on Sika's current knowledge and experience of the products when properly stored, handled and applied under normal conditions in accordance with Sika's recommendations. In practice, the differences in materials, substrates and actual site conditions are such that no warranty in respect of merchantability or of fitness for a particular purpose, nor any liability arising out of any legal relationship whatsoever, can be inferred

either from this information, or from any written recommendations, or from any other advice offered. The user of the product must test the products suitability for the intended application and purpose. Sika reserves the right to change the properties of its products. The proprietary rights of third parties must be observed. All orders are accepted subject to our current terms of sale and delivery. Users must always refer to the most recent issue of the local Product Data Sheet for the product concerned, copies of which will be supplied on request.

SIKA SERVICES AG

Tüffenwies 16
8048 Zürich
Switzerland
www.sika.com/powercure

BUILDING TRUST

